

metalu400

PORTABLE BATTERY LIFT



Portable battery lifter. **It does not require any type of installation**, which allows it to be used at any point in the pool, in different pools in the same enclosure or stored when not in use.

GENERATING FEATURES

METALLU 400 PORTABLE BATTERY LIFT

- Approved to lift 120 or 150 Kgs.
 - Metallic device with electrical mechanism (24 V.)
- Composed by:
- Base platform with counterweights and 4 wheels, 2 of them swivel
 - Security mechanisms.
 - Upright prism.
 - pivoting arm
-
- IP 65 protection.
 - Operated from hand button.
 - **2 batteries + charger.**
 - removable seat.
 - Folding armrest.
 - Footrest.
 - Made of AISI 316 stainless steel with powder paint protection.
 - Travel the seat vertically:.....1.10 meters

SELF-EMPLOYED USER

1 year warranty on the lift. 2-year warranty on all spare parts (except batteries whose warranty is 1 years).



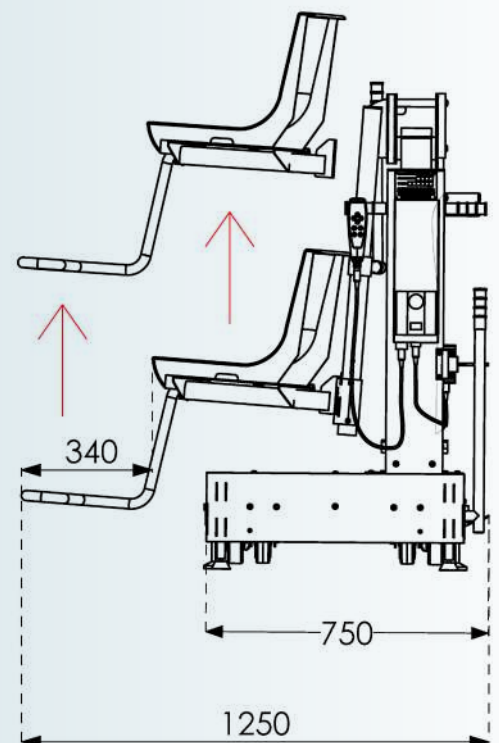
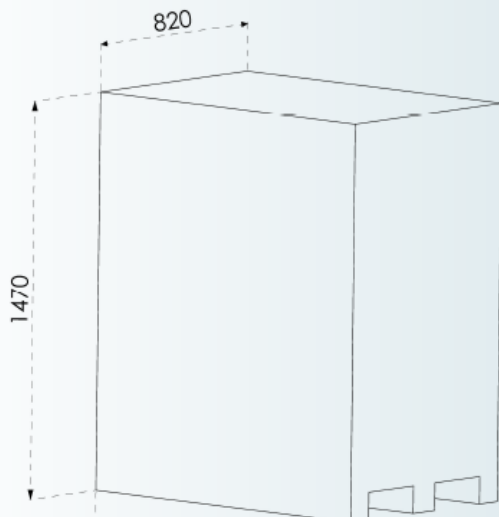
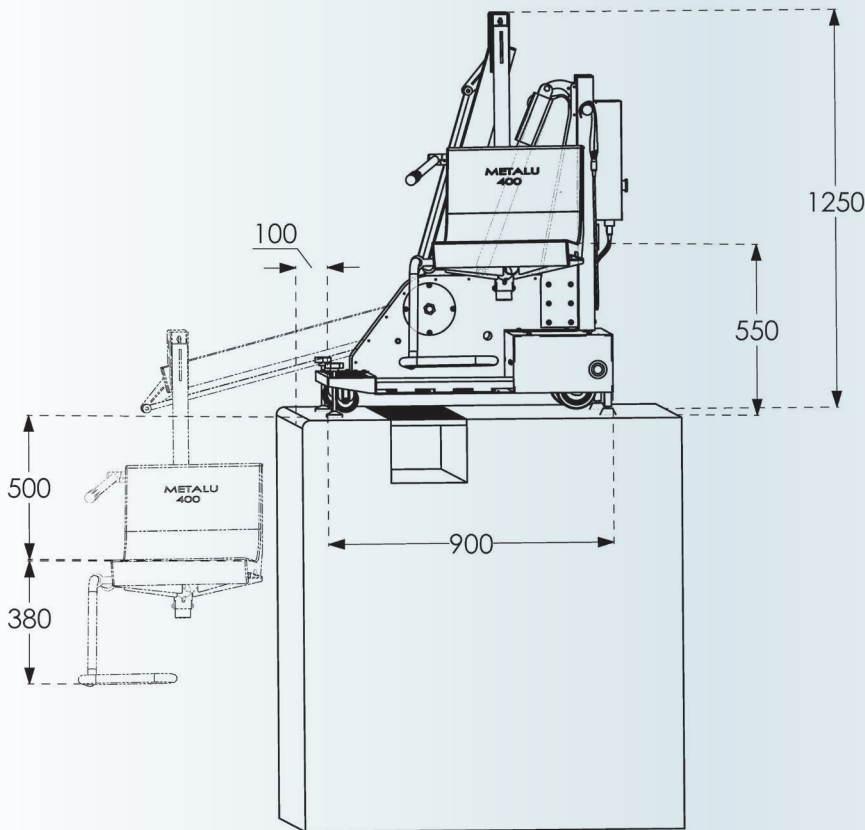
* BATTERY INFORMATION



- On the control box there is an indicator that shows the charge level of the batteries.
- With good use, each battery has an **autonomy of about 25-30 services** (it is recommended not to exhaust the full charge of the batteries: 15-20 services).
- The charging time of the batteries is 4-5 hours.



METAL 400 SIDES

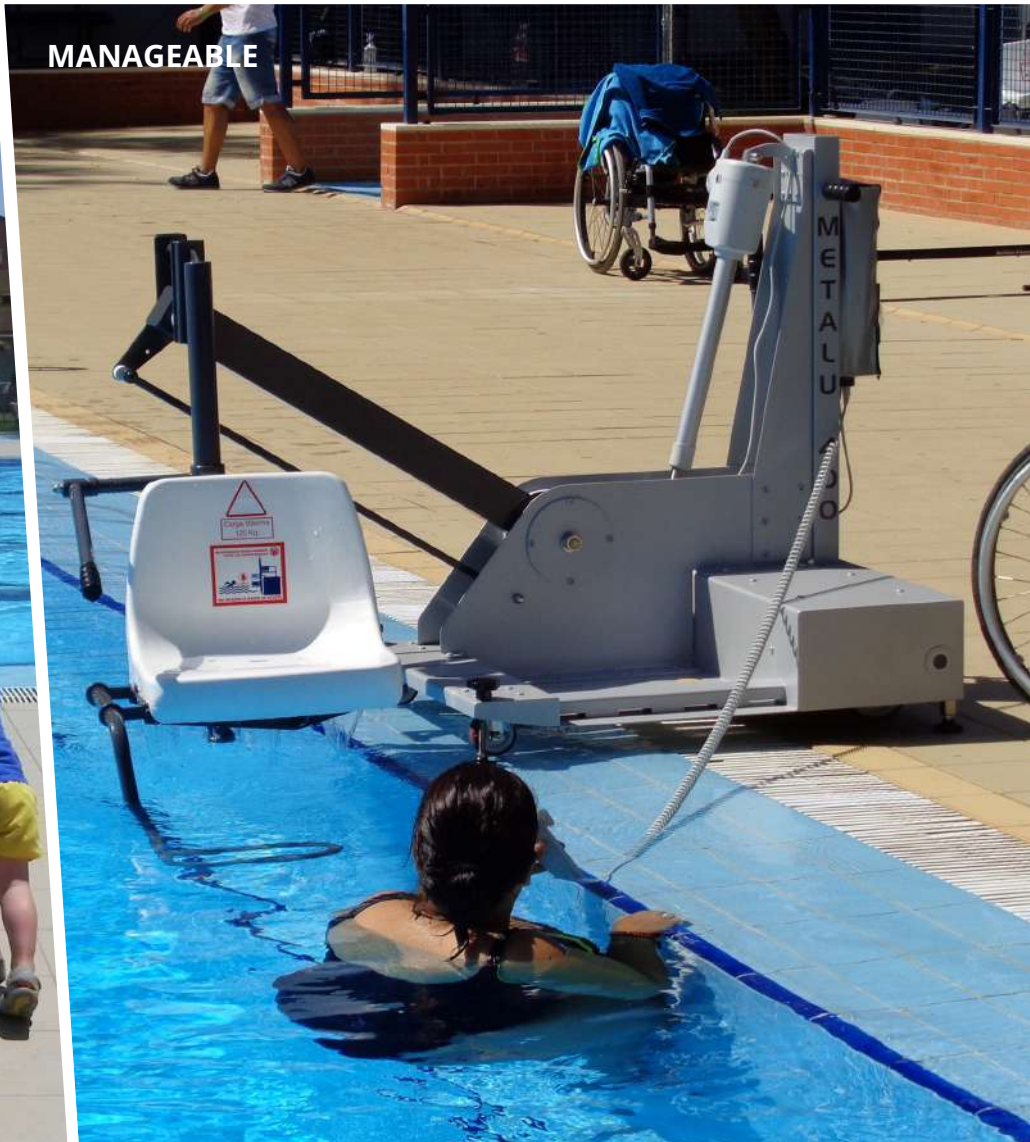


Packaging measures: 1,230 x 0,820 x 1,470 meters. 285 kg. **metalu 400** ships fully ready to its use.

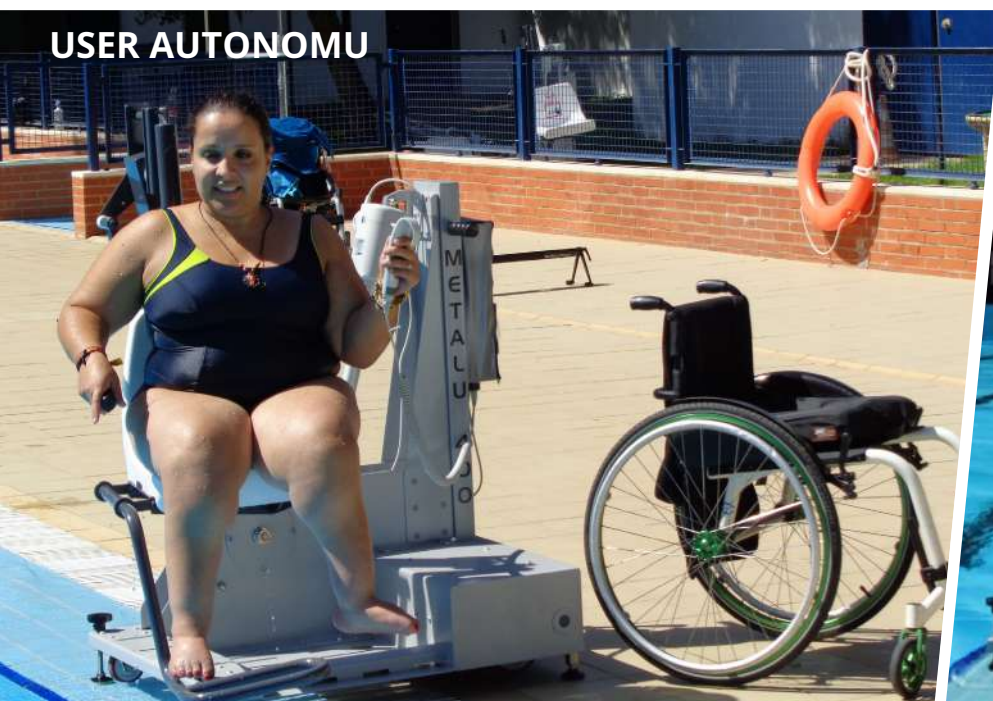
TRANSPORTABLE



MANAGEABLE



USER AUTONOMU



SECURITY

