

metaluP.K.

PORTABLE HYDRAULIC LIFT

ascensoracuático **METALU**[®]
ascensoracuatico.com



It is the smallest and most discreet hydraulic lift on the market, it can be disassembled and assembled in just three minutes. Ideal for those pools where you do not want to have the lift permanently installed.

Another of the great advantages of Metalu Pk is that with a single lift you can provide service to several pools in the same area.

GENERAL CHARACTERISTICS

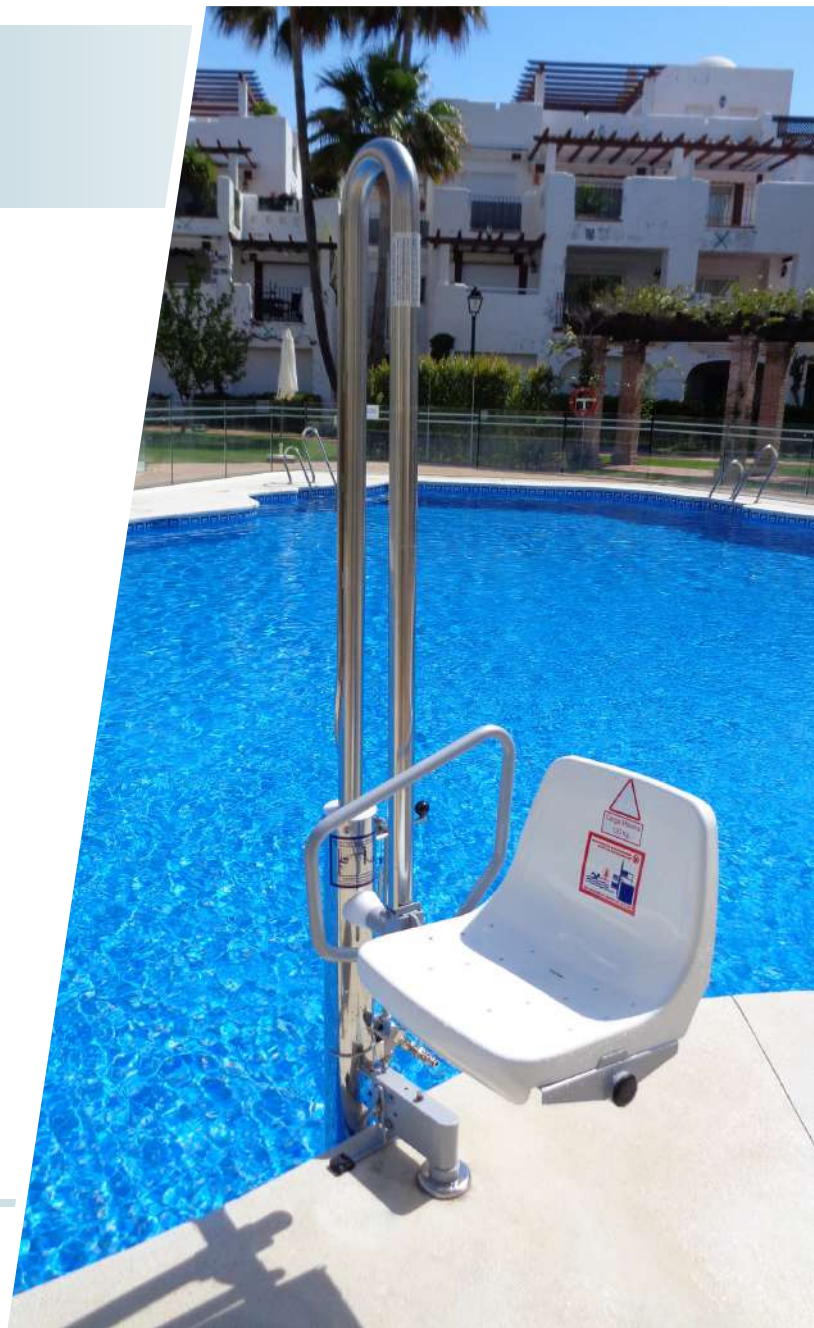
METALU PK PORTABLE HYDRAULIC LIFT

- Approved to lift up to 150 Kgs.
- For its operation, a water intake with a pressure between 3.5 and 5.5 bar is necessary. depending on lifting capacity
- Rotation angle: 170°, clockwise (in low
- Turning radius 700 m/m.
- The drive knob is located to the right of the user
- The seat has a travel of 1.06 meters.
- removable seat.
- Made of AISI 316 stainless steel.

■ SELF-EMPLOYED USER

- * No-load rise time.....24sec
- * Rise time with 85 kg load.....27sec
- * Idle lowering time.....50sec
- * Lowering time with 85 kg load.....22sec

1 year warranty on the lift. 2 year warranty on all parts.



 37 kg. approx.



*** TO CONSIDER**

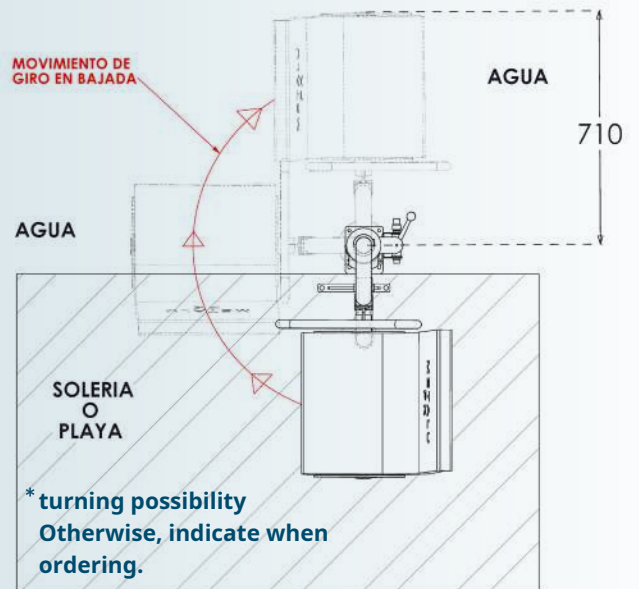
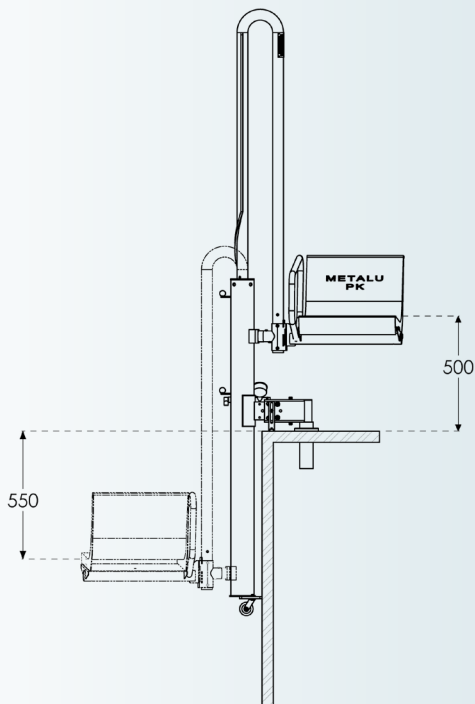
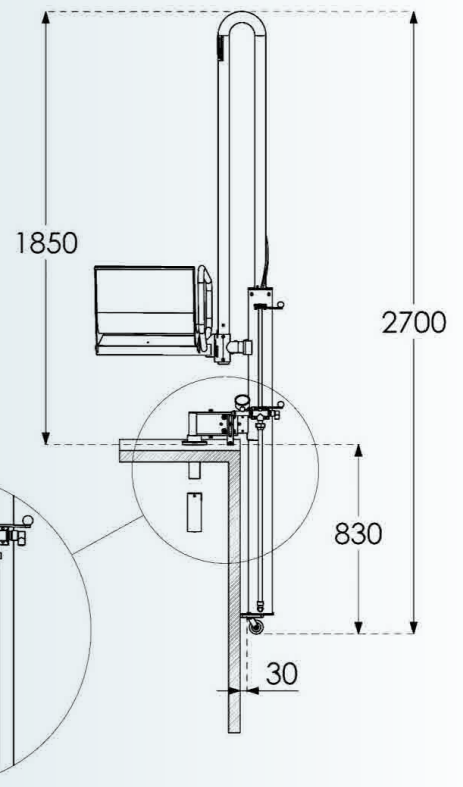
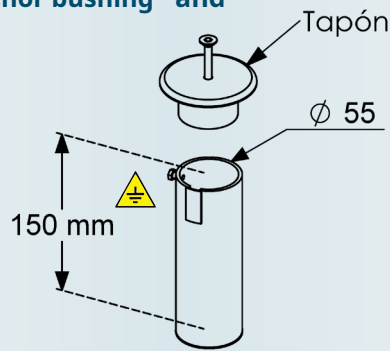
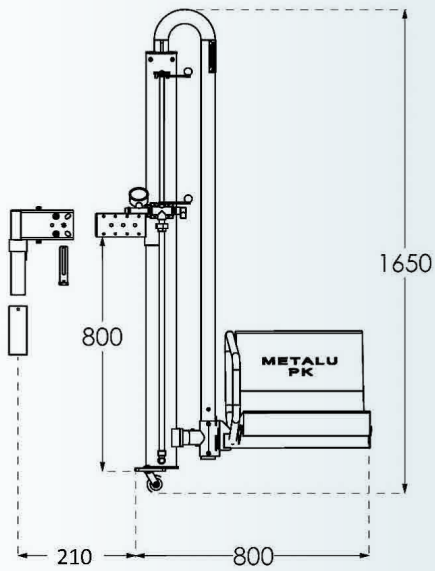


- **Minimum depth required 0.90 m.**
- Check that the anchorage does not coincide with any obstacle: overflow channel, underground pipes, etc. We have anchor extensions for these cases. **Consult.**
- If the difference between the edge of the pool and the sheet of water is greater than 15 cm. **Consult.**
- Indicate in the case of a liner or polyester pool.



SIDE METAL PK

anchor bushing and





TRANSPORTABLE



TAKING OF WATER



USER AUTONOMOUS



SEAT REMOVABLE