

metaluB-2

FIXED-REMOVABLE HYDRAULIC LIFT

ascensoracuático **METALU**[®]
ascensoracuatico.com



It is the most stable hydraulic lift on the market. **The railing and its five support points give the user a maximum sense of security.**

It is left fixed during the entire bathing season and can be removed to store it in winter.

GENERAL CHARACTERISTICS

METAL B-2

FIXED-OFF HYDRAULIC LIFT

- Approved to lift up to 150 Kgs.
- For its operation, a water intake with a pressure between 3.5 and 5.5 bar is necessary. depending on lifting capacity
- Rotation angle: 170°, clockwise (in low
- Turning radius 700 m/m.
- The drive knob is located to the right of the user
- The seat has a travel of 1.06 meters. and it is adjustable in height, it is normally placed at +0.53 mts. and -0.53 meters. above d level
- It adapts to any pool because all the catches are graduated.
- Made of AISI 316 stainless steel.

■ SELF-EMPLOYED USER

- * No-load rise time.....20sec
- * Rise time with 85 kg load.....25sec
- * Idle lowering time.....42sec
- * Lowering time with 85 kg load.....20sec
- * Piston water capacity.....8 liters

1-year warranty on the lift and 2-year warranty on all spare parts.



 50 kg. approx.



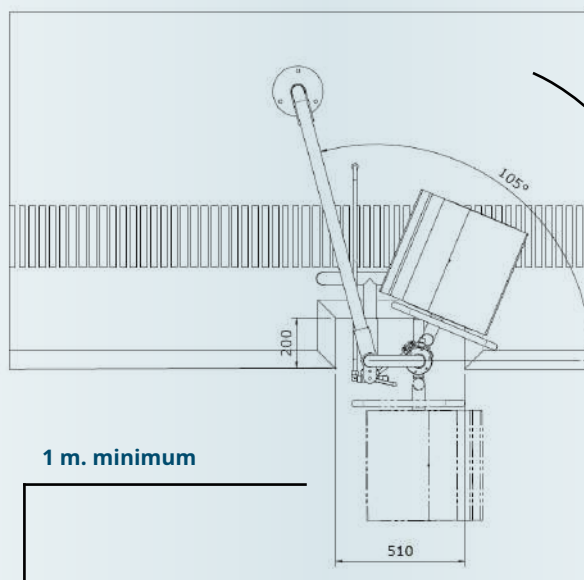
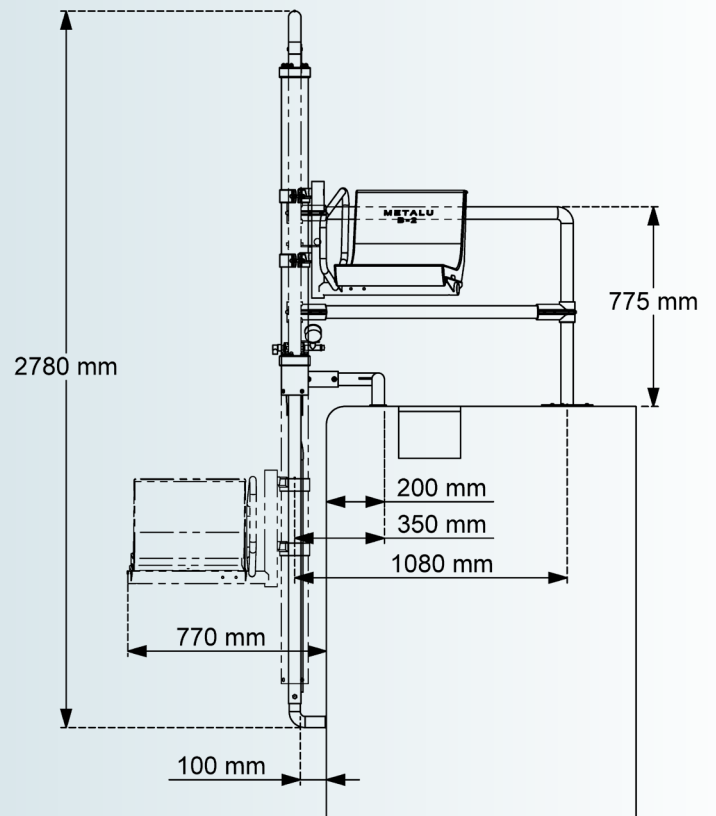
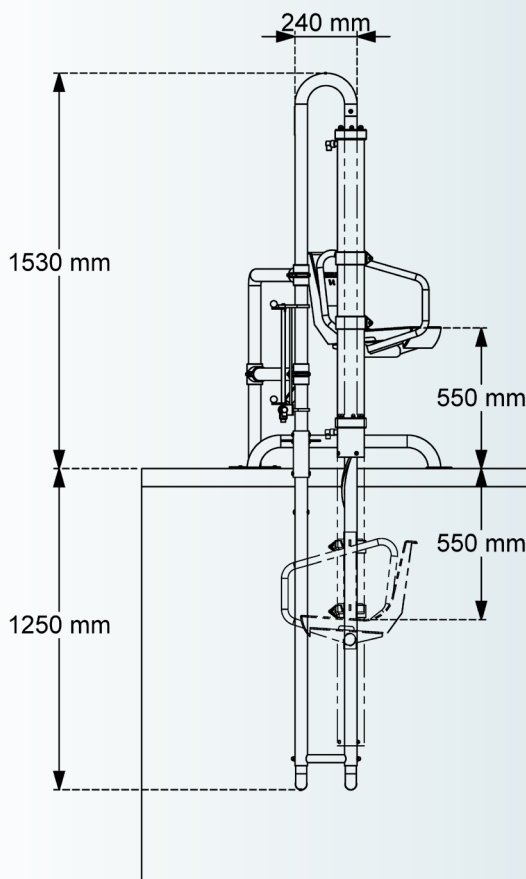
*** TO CONSIDER**



- **Minimum depth required 1.20 m.**
- If it coincides with an obstacle, or if preferred, the railing can be cut to a minimum of 0.5 m



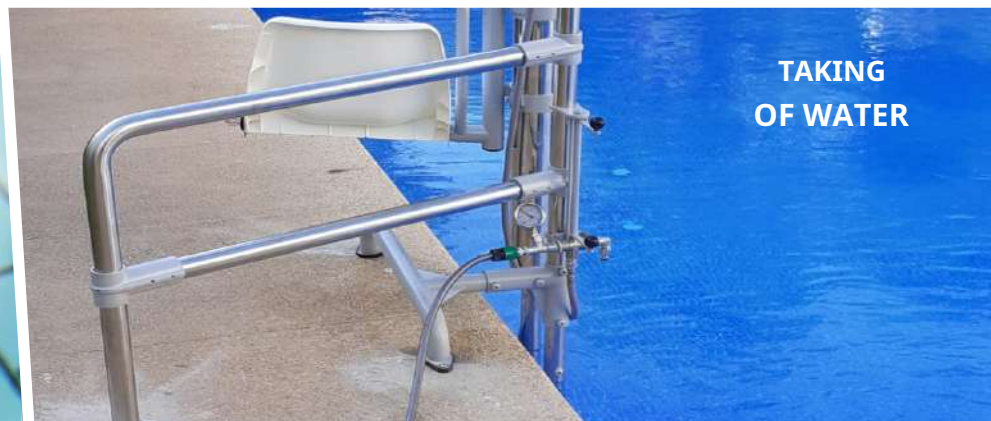
METAL SIZES B-2



**MOVEMENT OF
DOWNWARD TURN**

*** Possibility of reverse rotation, indicate to the make to order.**

IT IS ACTUATED FROM THE OUTSIDE AND INSIDE THE POOL



TAKING OF WATER



USER AUTONOMOUS



SEAT REMOVABLE