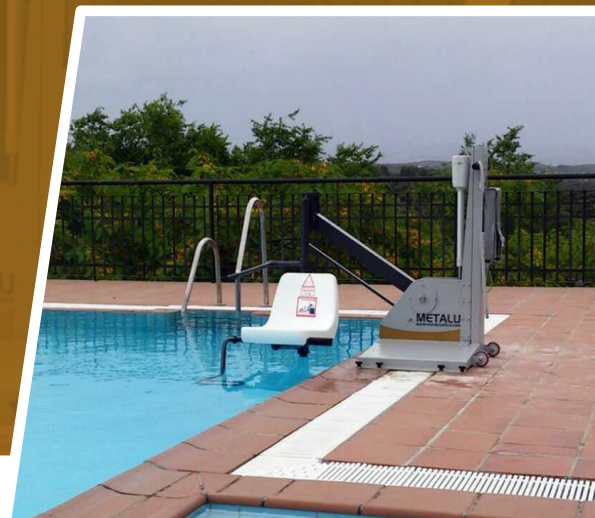


metalu600

FIXED BATTERY LIFT - REMOVABLE



Ideal for those pools where water pressure is a problem, or where you do not want to do the pre-installation of the water intake. You simply have to fix it to the edge of the pool.

GENERATING FEATURES

METALLU 600 FIXED BATTERY LIFT - DE

- Approved to lift 120 or 150 Kgs.
 - Metallic device with electrical mechanism (24 V.)
- Composed by:
- Base platform to anchor.
 - Upright prism.
 - pivoting arm
-
- IP 65 protection.
 - Operated from hand button.
 - **2 batteries + charger.**
 - removable seat.
 - Folding armrest.
 - Footrest.
 - Made of AISI 316 stainless steel with powder paint protection.
 - Travel the seat vertically:.....1.10 m

SELF-EMPLOYED USER

1 year warranty on the lift. 2-year warranty on all spare parts (except batteries whose warranty is 1 years).



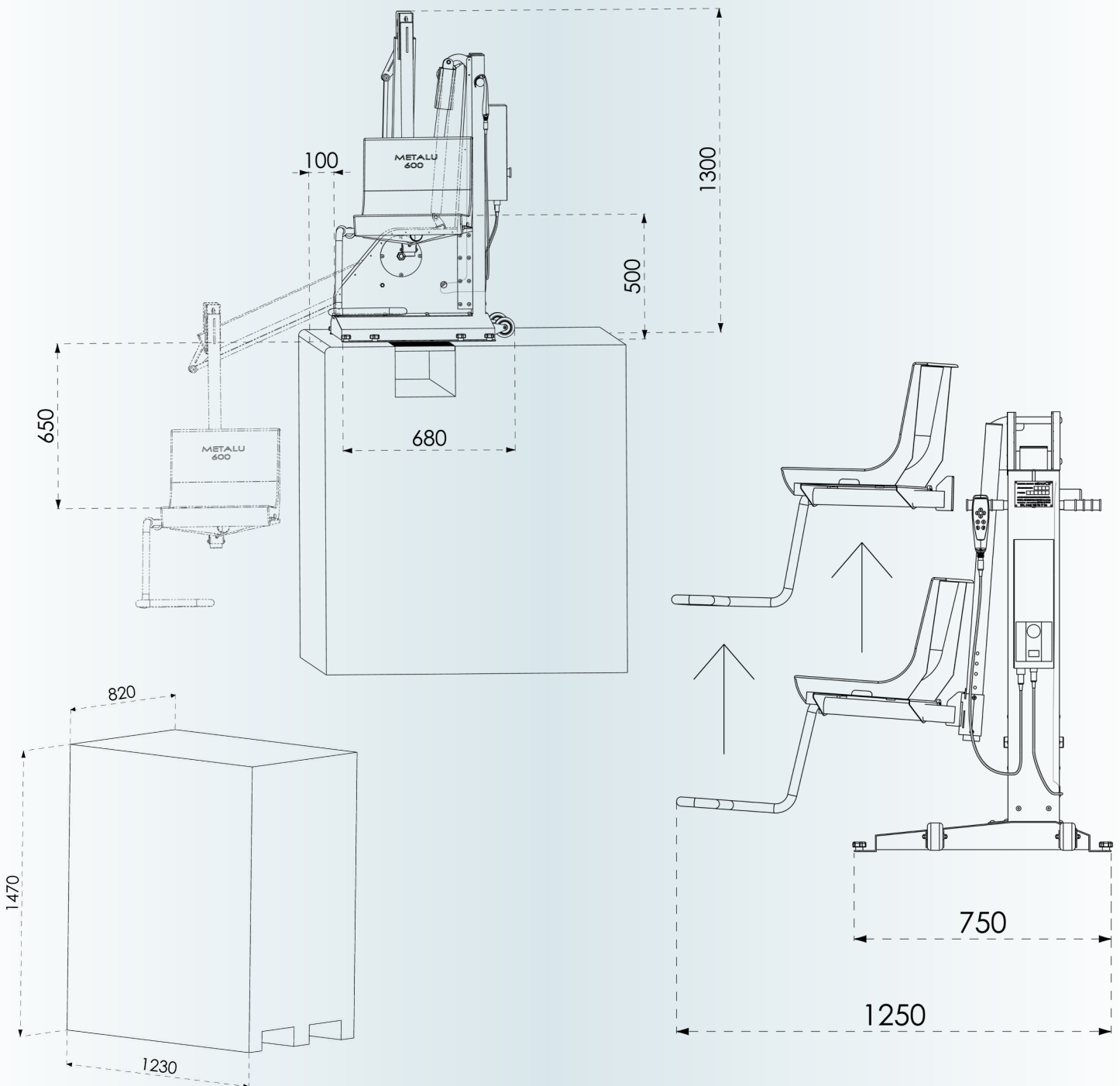
* BATTERY INFORMATION



- On the control box there is an indicator that shows the charge level of the batteries.
- With good use, each battery has an **autonomy of about 25-30 services** (it is recommended not to exhaust the full charge of the batteries: 15-20 services).
- The charging time of the batteries is 4-5 hours.



METAL 600 SIDES



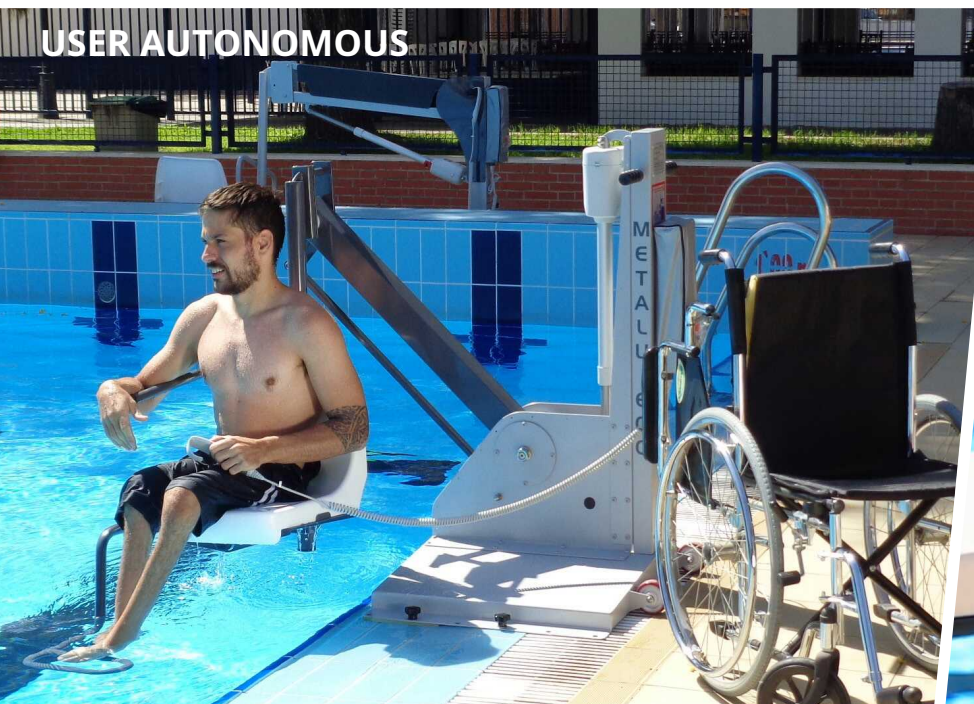
Packaging measures: 1,230 x 0,820 x 1,470 meters.
170 kg.



TRANSPORTABLE



EASY TO ANCHOR



USER AUTONOMOUS



SEAT REMOVABLE